

BERNARD FAVRE
NEUCHÂTEL - SWITZERLAND

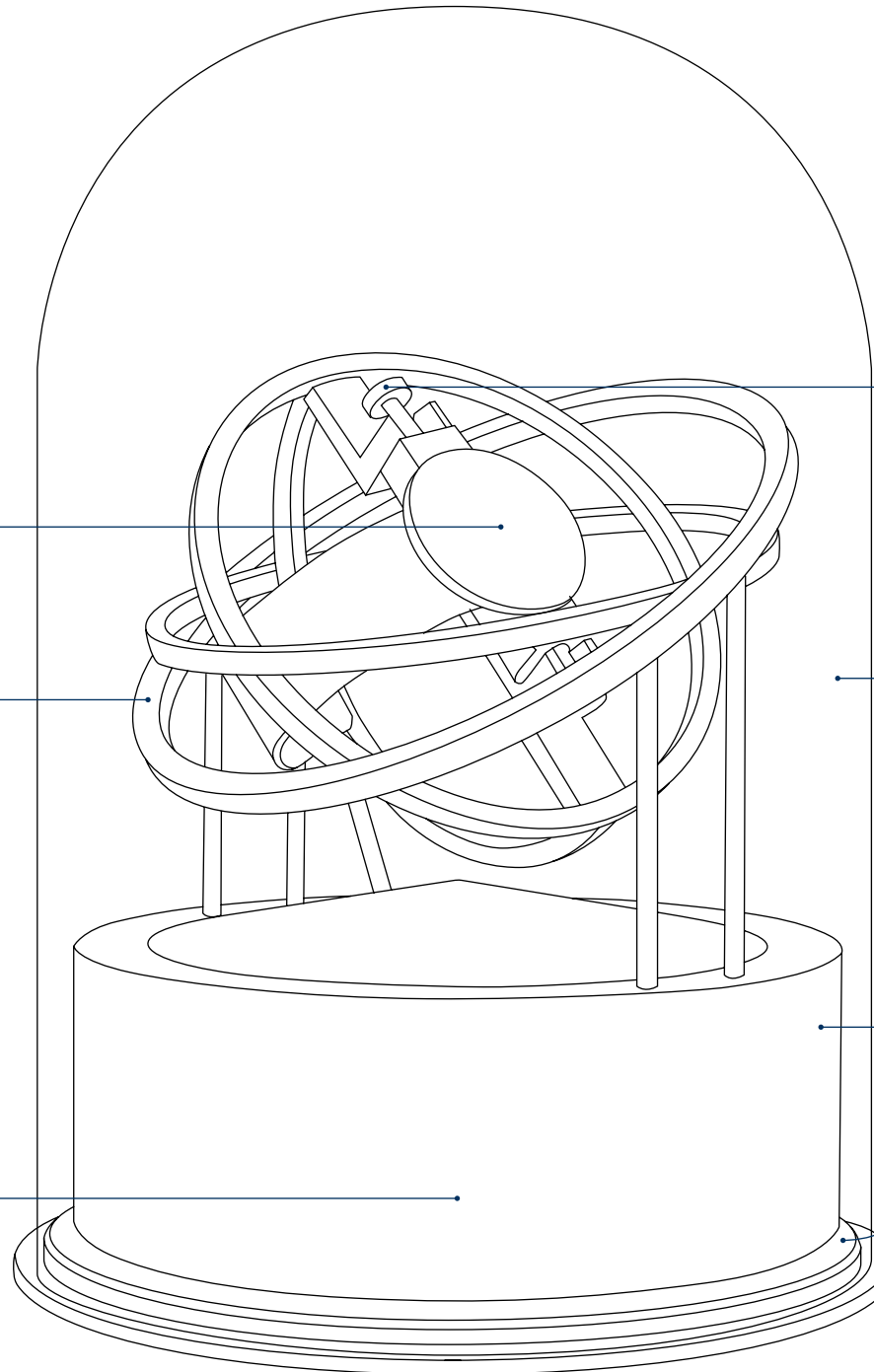
Training list
2019

Summary
Sales arguments

1
Watch support spring
metal to adapt any sizes

2
Two axis to replicate
wrist's movement

3
High efficiency swiss
motor, ultra silent



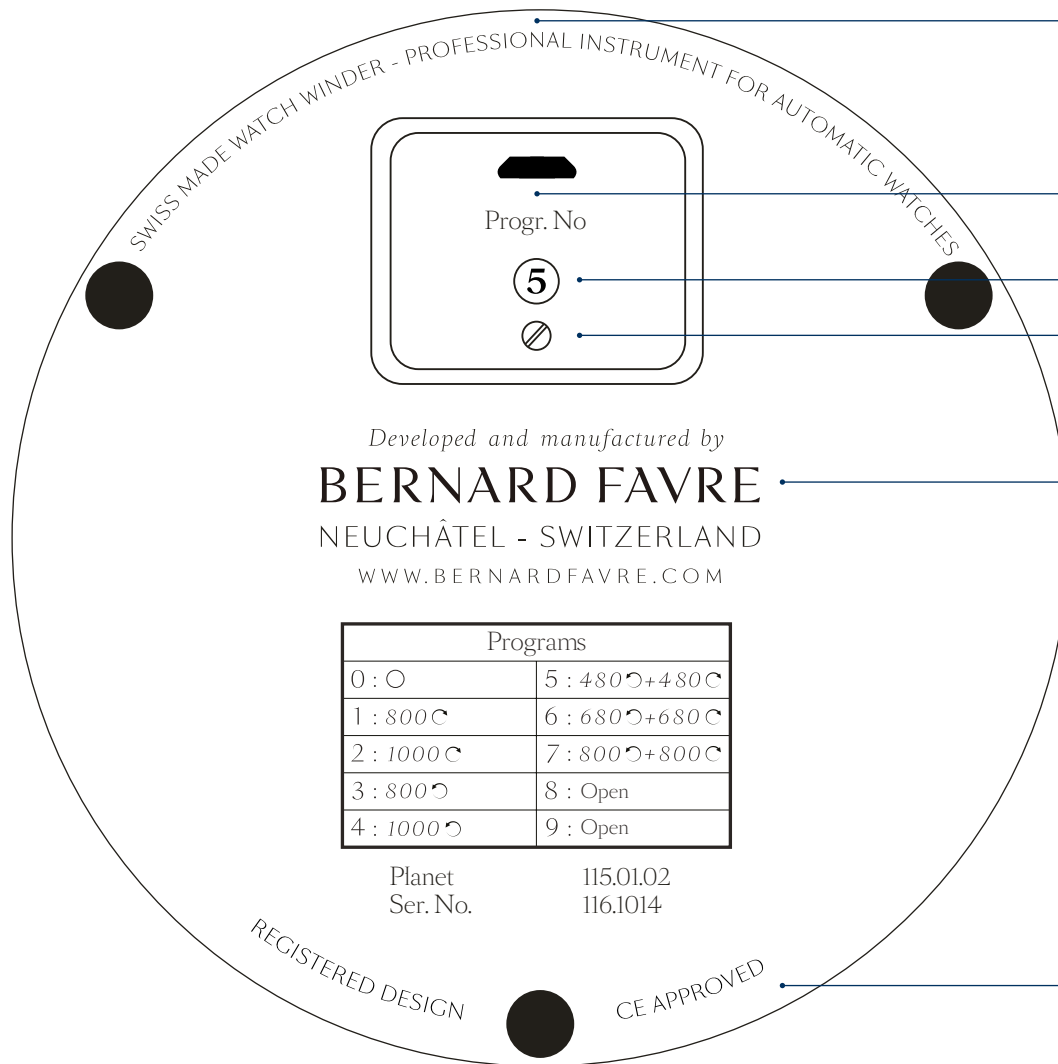
Safety clip system
that ensure the fixing
of the watch

4
Glass dome protected
from the dust

Solid quality
aluminium case

5
Rechargeable battery,
120 days autonomy

9 programs to suit
your watch



Quality feature

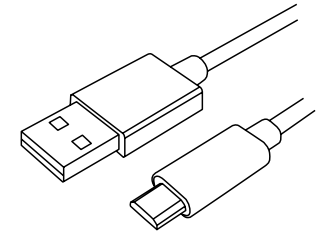
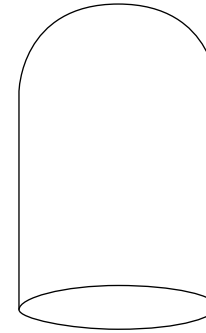
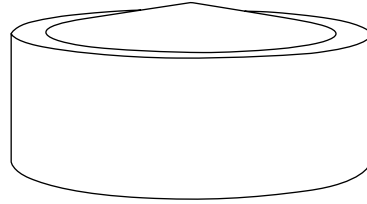
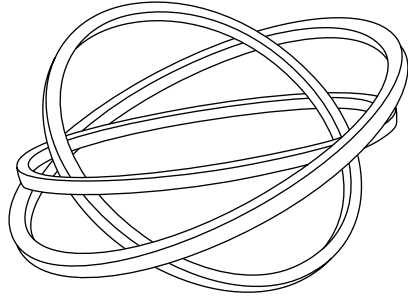
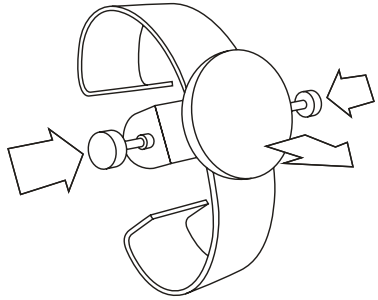
USB Port

Program n°
Program selector

Quality feature

Quality feature

Planet



1

Watch Support

Made with a string metal band draped with a special fabric that avoid scratching.

The watch holder is clipped on the winder to ensure a good fixation of the watch. the watch is stuck on the winder

2

Two axis

Years of research and development culminated in 2011 with the Planet, the first watch winder rotating on two axis to better replicate the wrist's movements. As a side benefit the movement is captivating.

3

Motor

The quiet, high-efficiency Swiss motor is ultra-silent thanks to sealing rings set in the base.

4

Protection

An elegant glass dome both protects the watch from dust and curious hands as well as adding to the mystery of the kinetic ballet within.

5

Battery

The battery is quickly charged by a simple USB cable for 100 days (3 months) and can be left permanently connected.

Programs

Unlike many watch winders on the market, the double-axis Bernard Favre Planet does not overwind watches thanks to the nine program options, ensuring an optimal winding for any timepiece. Program no.5 is the standard program which works for 95% of the watches

Quality

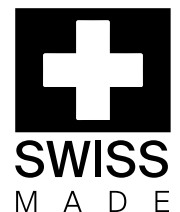
The Planet double-axis watch winder is manufactured to the highest Swiss standards and is available in a large selection of material types.

Factory

The Planet is born in a small factory, in the Swiss county of Neuchâtel, one of the major Swiss watchmaking hub. In this area, craftsmanship is a savoir-faire that tradition pursue over ages. Bernard Favre has put together the best tallented trades to create unique and authentic product.

- 0 In charge does not rotate.
- 1 Completes 800 clockwise rotations.
- 2 Completes 1000 clockwise rotations.
- 3 Completes 800 anticlockwise rotations.
- 4 Completes 1000 anticlockwise rotations.
- 5 Completes 480 clockwise and 480 anticlockwise rotations.
Standard programme wich works for the majority of watches.
- 6 Completes 680 clockwise and 680 anticlockwise rotations.
- 7 Completes 800 clockwise and 800 anticlockwise rotations.
- 8 Carries out the following sequence 150 times: 3 clockwise rotations, 6-second pause, 3 anticlockwise rotations, 6-second pause.
- 9 Carries out the following sequence 800 times: 3 clockwise rotations, 6-second pause, 3 anticlockwise rotations, 6-second pause.
This programme is ideal for display cases.

Developed and manufactured by
BERNARD FAVRE
NEUCHÂTEL - SWITZERLAND
WWW.BERNARDFAVRE.COM



Chemin du Saut 6
2042 Valangin
Switzerland

bernardfavre.com
contact@bernardfavre.com
